

## Apprentice - HURTMAN RESCUE

Event Time: 4 Minutes

Drop Dead Time: 6 Minutes

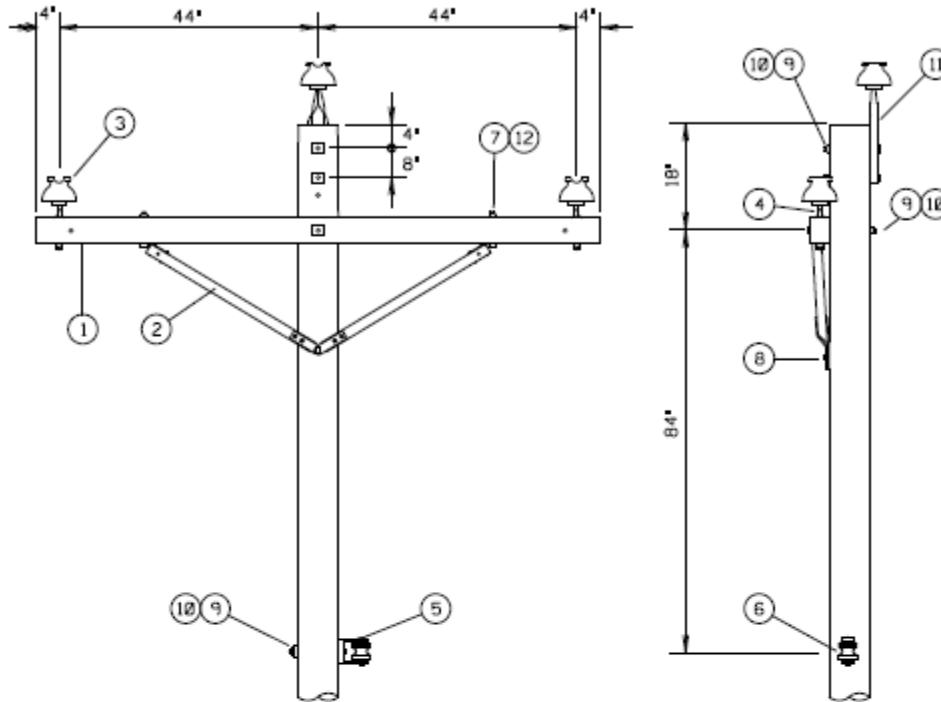
This event simulates rescuing an injured worker from the cross arm. Looking at the pole from the cross arm side, the hand line will be hanging on the right side simulating injury to a right-handed worker. The manikin will be hanging on the cross arm side of the pole with both ends of the safety straps through the braces. There will be a neutral installed on the pole.

1. The climber's tools will be an arm's length away from the pole. The fall arrest belt can be placed on the pole.
2. Time starts at the judges' signal with lineman standing at least an arm's length from pole.
3. Always take a minimum of one complete wrap around the cross arm before lowering the hurt man.
4. The mannequin should be tied under the arms with three half hitches. (**Note:** Eye splice should not be used as part of the hitches.) The half hitch is the only acceptable knot. A 3" piece of conduit will be used to measure the tightness of the knot.
5. Be sure to call out "headache" loudly when you drop your hand-line sheave. The sheave shall be dropped in the 5' circle radius at the base of the pole.
6. A Buckingham BuckSqueeze Rescue Belt 483M will be used on the mannequin. You must cut the orange 483A insert. There will be a 10-point deduction for cutting the belt in the wrong place.
7. The mannequin must be lowered smoothly to the ground without coming in contact with the pole.
8. Time will stop when mannequin is laid flat on the ground with slack in the hand line, and both climbers feet are on the ground. (**Note:** There must be one gaff in the pole at all times when climbing down the pole.)



# OVERHEAD DISTRIBUTION STANDARDS

DRAWING: TC-2  
PAGE: 1B-5  
DATE: 1-29-14

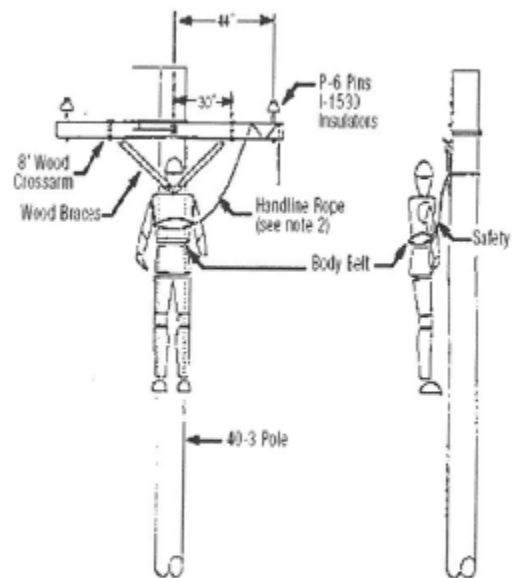


NOTES:  
A. GROUNDING DETAILS CAN BE FOUND IN THE GROUNDING SECTION OF THIS MANUAL.  
B. IN COASTAL AREAS USE INSULATOR #022-220125

ITEM	QTY.	DESCRIPTION	ITEM ID NO.	ITEM	QTY.	DESCRIPTION	ITEM ID NO.					
1	1	CROSSARM, 4" X 5" X 8"	562-203119	9	4	BOLT, MCH. $\frac{5}{8}$ " X REG'D	---					
2	2	BRACE, WOOD CA 60"	563-209104	10	5	WASHER 2" SQ. $\frac{1}{16}$ " HOLE	070-181964					
3	3	INSULATOR, PIN TYPE	022-220134	11	1	PIN, STEEL POLE TOP	072-185252					
4	2	PIN, STEEL INS. $\frac{5}{8}$ " X $6\frac{1}{2}$ "	072-185224	12	3	WASHER, 2" SQ. $\frac{5}{16}$ " HOLE	070-181961					
5	1	CLEVIS, SEC.	071-229174									
6	1	INSULATOR, SEC. SPOOL	023-225102									
7	2	BOLT, MCH. $\frac{1}{2}$ " X 7"	070-181436									
8	1	SCREW, LAG $\frac{1}{2}$ " X $4\frac{1}{2}$ "	070-181866	GROUNDING MATERIAL - SEE GROUNDING SECTION								
10	1-14	CORRECT LAG SCREW	TLA TLA	SINGLE PRIMARY SUPPORT CROSSARM CONSTRUCTION TRIANGULAR SPACING THREE PHASE 7.2 / 12.47kV								
09	1-10	ADD ITEM NUMBERS	TLA TLA									
08	7-03	POLY INSULATOR CHG	KT JEC SER									
07	2-98	CORRECTION	JEC JEC CVS									
REV	DATE	DESCRIPTION	BY					D.ENG	D.SUP	D.ENG	kb	BY

dist/ods/tc-2.dgn

# Hurtman Rescue Pole



**Notes:**

1. Do not use locknuts anywhere.
2. Lineman is to use one complete loop of rope over crossarm. With rope going from inside the pin to outside the pin. Use three half hitches on dummy, under the arm pit. 1 splice cannot be part of the half hitches.



