

Apprentice Event – **HURTMAN RESCUE**

Event Time: 3 Minutes

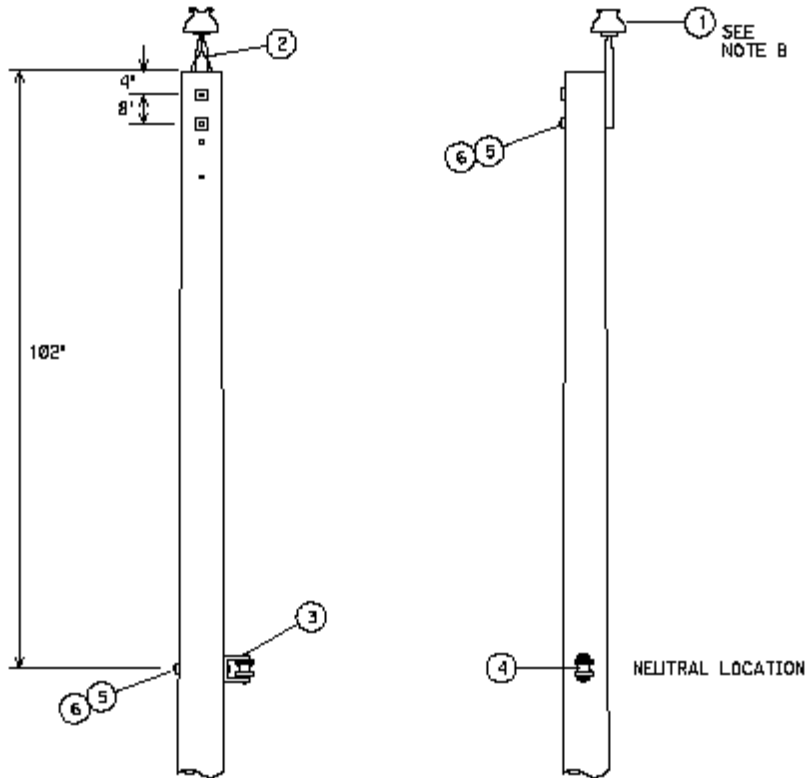
Drop Dead Time: 5 Minutes

1. Time starts at the judges' signal with lineman standing at least an arms' length from pole. **Note:** The lineman's belt and hooks will be lying on the ground at arm length away. The fall arrest device can be adjusted during the set-up time. The device will not be affixed to the pole until the event time begins. Rubber gloves will be inside the glove bag cuffs down and fingers up at the start of the event. If fingers protrude outside the bag, the flap must be snapped. Rubber gloves are required ground to ground.
2. The mannequin will hang facing the clevis with the safety strap just above the neutral. The climber will carry the snap end of the hand line rope up the pole. The screwdriver method must be used and the rope must be rigged with a minimum of one complete wrap around the pole above the screwdriver.
3. The mannequin shall be tied under arms with three half hitches and let down in control without slamming the ground. **Note:** (eye splice shall not be used as part of the hitches). The half hitch is the only acceptable knot. A 3" piece of conduit will be used to measure tightness of knot.
4. A Buckingham Buck Squeeze Rescue Belt 483M will be used on the mannequin and the climber will cut the orange 483A insert. There will be a 10-point deduction for cutting the belt in the wrong place.
5. Time will stop when the lineman has both feet on the ground. **Note:** There must be one gaff in the pole at all times when climbing down the pole.
6. All general rules apply.



OVERHEAD DISTRIBUTION STANDARDS

DRAWING: TS-8
PAGE: 1A-1
DATE: 7-7-03



NOTES:

GROUNDING

A. GROUNDING DETAILS CAN BE FOUND IN THE GROUNDING SECTION OF THIS MANUAL.

COASTAL AREAS

▶ B. IN COASTAL AREAS USE INSULATOR *022-220125.

ITEM	QTY.	DESCRIPTION	ITEM ID NO.	ITEM	QTY.	DESCRIPTION	ITEM ID NO.					
1	1	INSULATOR, PIN TYPE	022-220134									
2	1	PIN, STEEL POLE TOP	072-185252									
3	1	CLEVIS, SEC.	071-229174									
4	1	INSULATOR, SEC. SPDDL	060-225102									
5	3	BOLT, MCH. 5/8" REQ'D										
6	3	WASHER 2" SQ. 11/16" HOLE	070-181964									
GROUNDING MATERIAL - SEE GROUNDING SECTION												
06	1-03	POLY INSULATOR CHG	KT	JEC	SER	SINGLE PRIMARY SUPPORT SINGLE PHASE CONSTRUCTION 7.2KV						
05	6-95	RM. POLE FROM B.D.M.	BT	JEC	GC							
04	9-94	REV. POLE TOP PIN	PS	JEC	GC							
03	02-92	CSTL AREAS NOTE	SL	SL	GC							
REV	DATE	DESCRIPTION	BY	D.ENG	D.SUP	D.ENG	K.B	BY	K.B	APVD	H.H	APVD

▶ REVISION

dist/ods/ts-8.dgn

